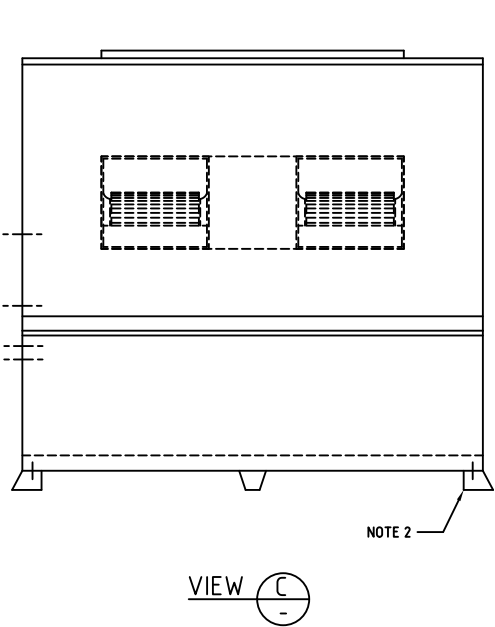
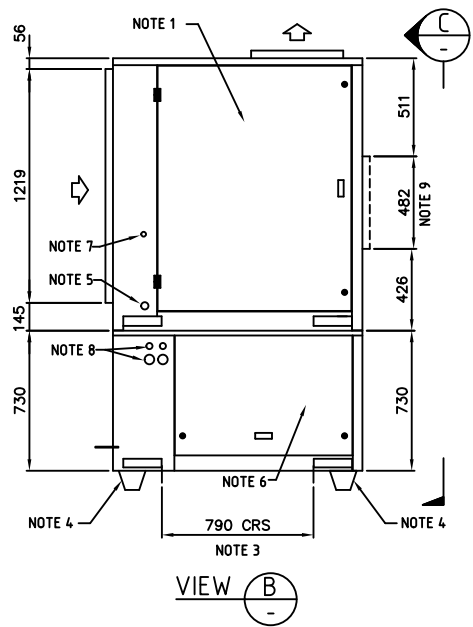
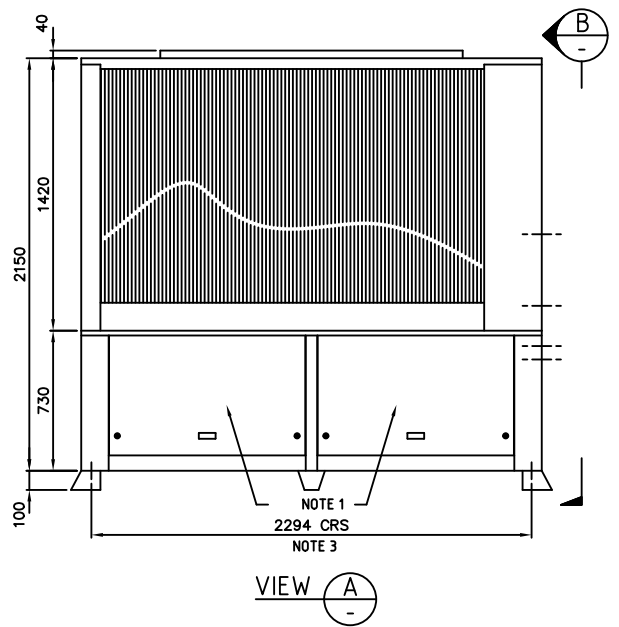
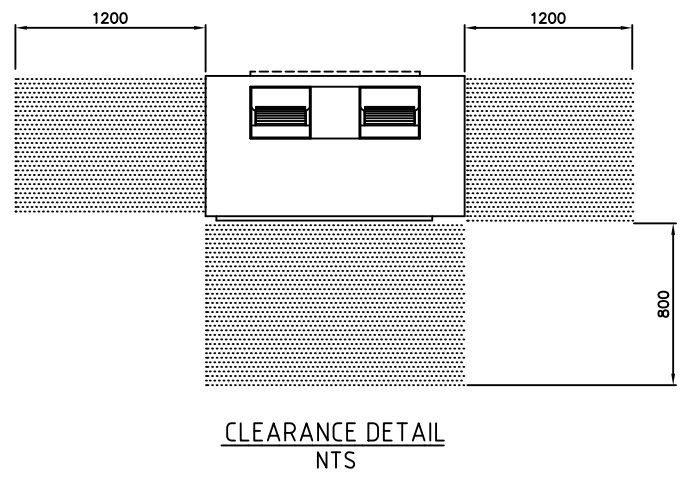
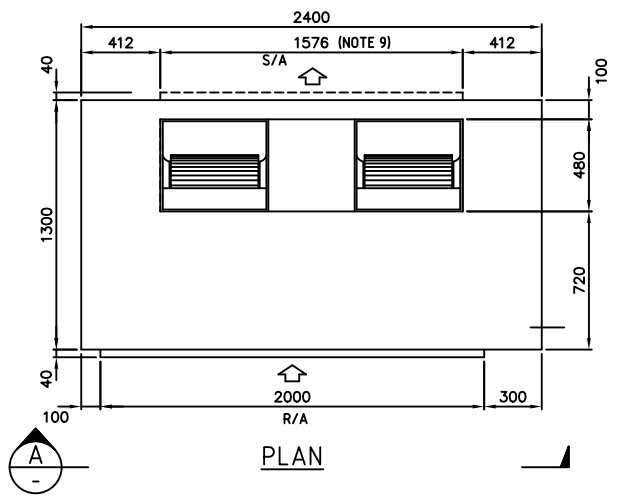


- NOTE:**
1. CABINET SERVICE ACCESS.
 2. TRANSPORTATION FEET (REMOVAL IS OPTIONAL).
 3. AV MOUNTING LOCATIONS (FEET MUST BE REMOVED).
 4. RECOMMENDED LIFTING POINTS (SPREADER BARS MUST BE USED).
 5. CONDENSATE DRAIN (1 x $\phi 20$ mm PVC).
 6. ELECTRICAL SWITCHBOARD
 7. ELECTRICAL ENTRIES (1 x $\phi 20$ mm).
 8. REFRIGERATION PIPING
SUCTION 2 x 1 1/8", LIQUID 2 x 5/8".
 9. DUCTING OPTIONS - FRONT S/A.



REV No	DATE	DETAILS
REV 1	26.08.2013	NOTES & DIMENSIONS REVISED
REV 2	16.07.2014	CHANGE OF S/A DUCTING OPTION

DRAWING No.
CAG080005

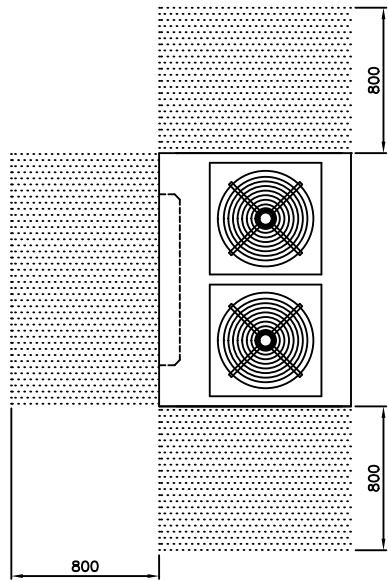
REVISION	REV 2
DATE	16.07.2014
SCALE	1 : 40
DRAWN	SP
APPROVED	MD

CAA
COMM AIR AUSTRALIA
AIR CONDITIONING MANUFACTURERS
ACN 140 272 171
22 SARICH COURT
OSBORNE PARK WA6017
(08)92449288

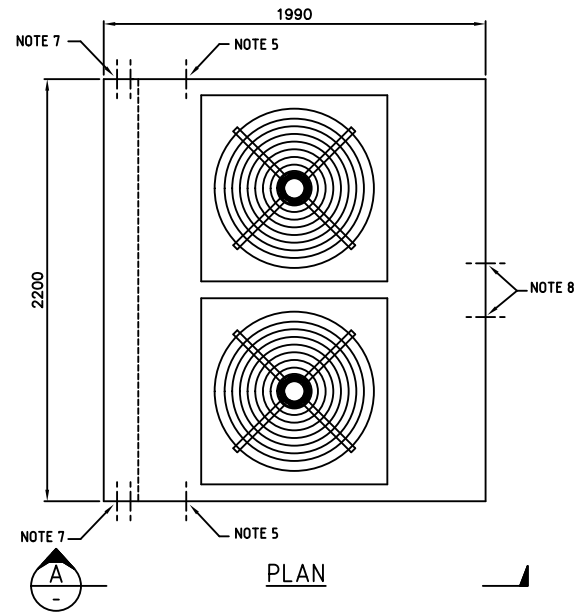
VXC090R3AA, VXC090C3AA, VXC100R3AA, VXC100C3AA
VXC115R3AA, VXC115C3AA, VXC120R3AA, VXC120C3AA

- ALL DIMENSIONS IN mm.
- GENERAL TOLERANCE ± 1 mm.
- DO NOT SCALE DRAWING.
- MASTER DRAWINGS ARE HELD ELECTRONICALLY. ANY COPY IS DEEMED UNCONTROLLED AND THEREFORE NOT NECESSARILY THE LATEST REVISION.
- ALL INFORMATION REMAINS THE PROPERTY OF THE COMPANY.

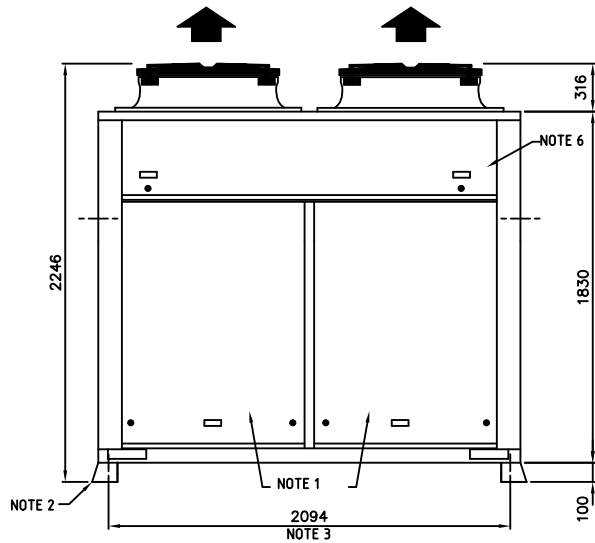
GENERAL ARRANGEMENT



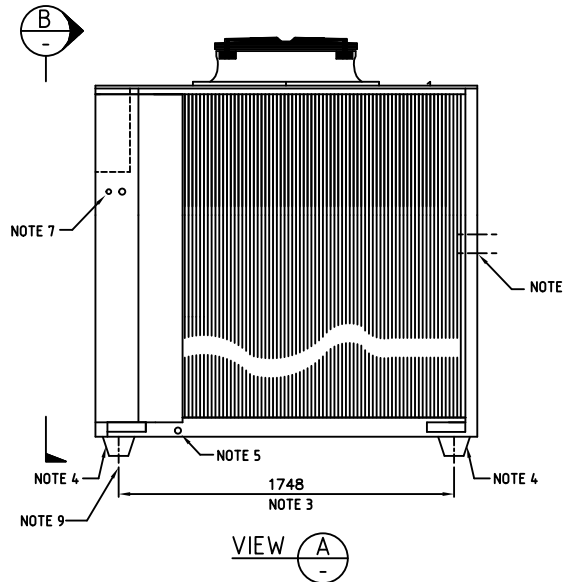
CLEARANCE DETAIL
NTS



PLAN



VIEW B



VIEW A

NOTE:

1. CABINET SERVICE ACCESS.
2. TRANSPORT FEET (REMOVAL IS OPTIONAL).
3. AV MOUNTING LOCATIONS (FEET MUST BE REMOVED).
4. RECOMMENDED LIFTING POINTS (SPREADER BARS MUST BE USED).
5. CONDENSATE DRAIN (2 x ϕ 20mm PVC).
6. ELECTRICAL SWITCHBOARD.
7. ELECTRICAL ENTRY (1 x ϕ 25mm & 1 x ϕ 32mm)
8. REFRIGERATION PIPING SUCTION 2 x 1 3/8", LIQUID 2 x 5/8"
9. TRANSPORT FEET CTR'S, HOLE 14mm DIA

REV No	DATE	DETAILS
REV-1	24.05.2012	CONDENSOR DRAIN POSITION CHANGED
REV-2	27.08.2012	TANDEM DESIGN & UPDATED TO AB VERSION
REV-3	15.01.2013	LABEL CHANGED FROM HOC080R3AB TO HOC090R3AB
REV-4	31.07.2013	NOTES & DIMENSIONS REVISED
REV-5	21.01.2014	TRANSPORT FEET HOLE CENTRES
REV-6	24.04.2014	AV MOUNT POSITIONS CHANGED

DRAWING No.

CAG080002

REVISION REV-6
DATE 24.04.2014



HOA080R3AB, HOA080C3AB, HOA100R3AB, HOA100C3AB
HOC090R3AB, HOC090C3AB, HOC100R3AB, HOC100C3AB
HOC115R3AB, HOC115C3AB, HOC120R3AB, HOC120C3AB

CUT SIZE	----	SCALE	1 : 50
MATERIAL	----	DRAWN	SP
QUANTITY	----	APPROVED	MD

GENERAL ARRANGEMENT

• ALL DIMENSIONS IN mm.
• GENERAL TOLERANCE \pm 1mm.
• DO NOT SCALE DRAWING.
• MASTER DRAWINGS ARE HELD ELECTRONICALLY. ANY COPY IS DEEMED UNCONTROLLED AND THEREFORE NOT NECESSARILY THE LATEST REVISION.
• ALL INFORMATION REMAINS THE PROPERTY OF THE COMPANY.