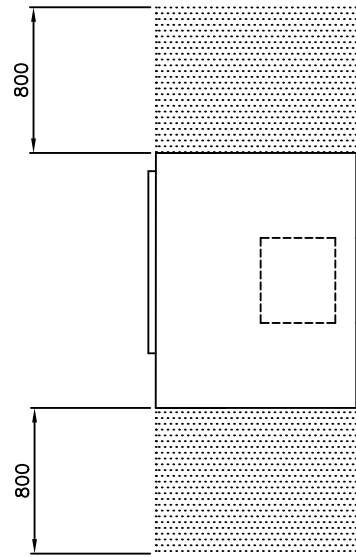
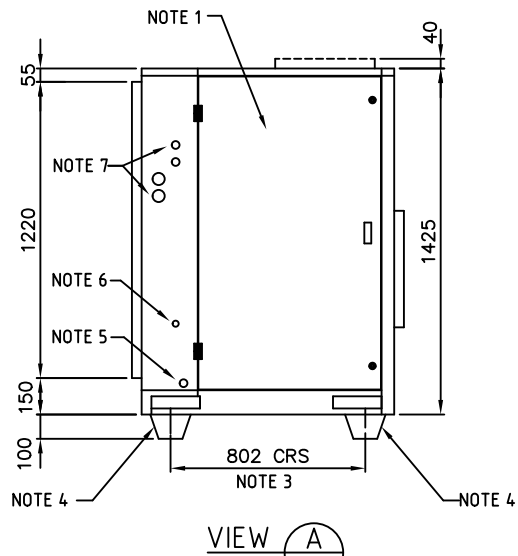


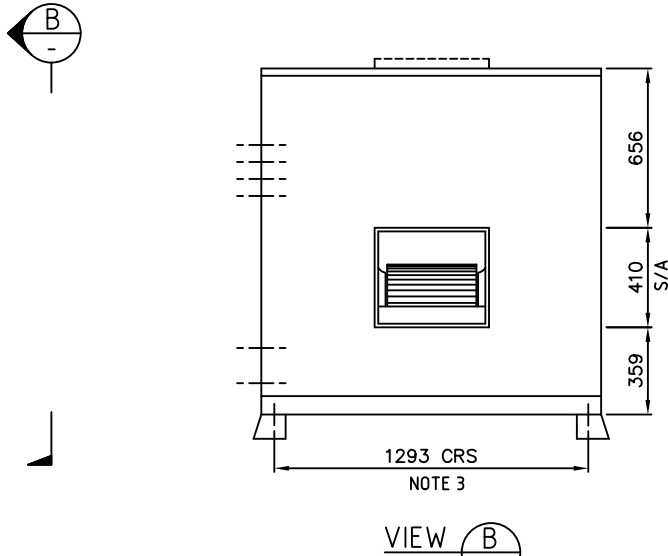
PLAN



CLEARANCE DETAIL



VIEW A



VIEW B

- NOTE:**
1. CABINET SERVICE ACCESS.
  2. TRANSPORTATION FEET (REMOVAL IS OPTIONAL).
  3. AV MOUNTING LOCATIONS (FEET MUST BE REMOVED).
  4. RECOMMENDED LIFTING POINTS SLING THROUGH TRANSPORTATION FEET, SEE NOTE 2. SPREADER BARS MUST BE USED.
  5. CONDENSATE DRAIN (1 x Ø20mm PVC).
  6. ELECTRICAL ENTRY (1 x Ø20mm).
  7. REFRIGERATION PIPING SUCTION 2 x 1 1/8", LIQUID 2 x 5/8".
  8. DUCTING OPTIONS - TOP S/A.

REV No	DATE	DETAILS
REV 1	22.02.2013	PIPE EXITS POSITIONS MODIFIED
REV 2	18.07.2013	TOP S/A SPIGOT POSITION MOVED
REV 3	30.07.2013	NOTES & DIMENSIONS REVISED

DRAWING No.

CAG045003

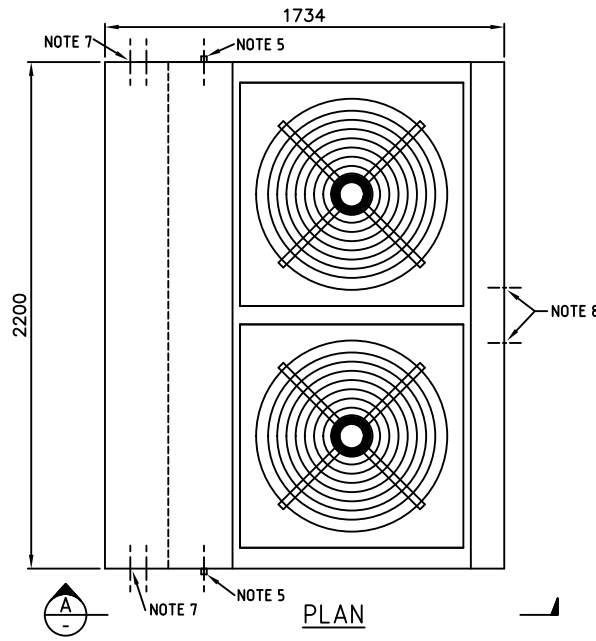
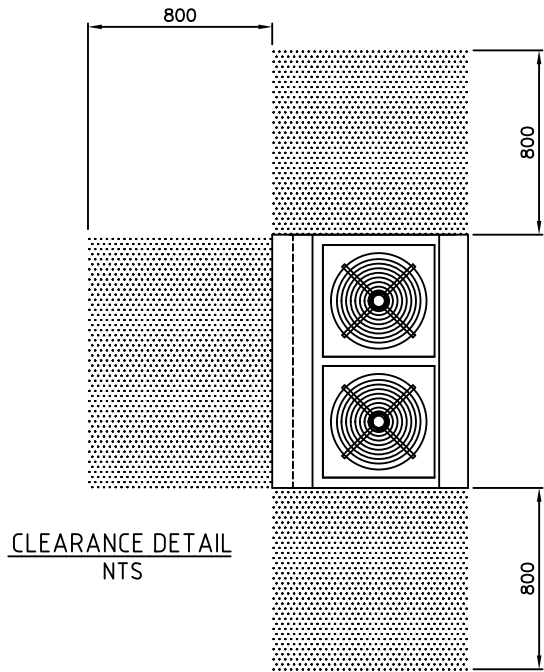
REVISION	REV 3
DATE	18.07.2013
SCALE	1 : 35
DRAWN	SP
APPROVED	MD

**CAA**  
 COMM AIR AUSTRALIA  
 AIR CONDITIONING MANUFACTURERS  
 ACN 140 272 171  
 22 SARICH COURT  
 OSBORNE PARK WA6017  
 (08)92449288

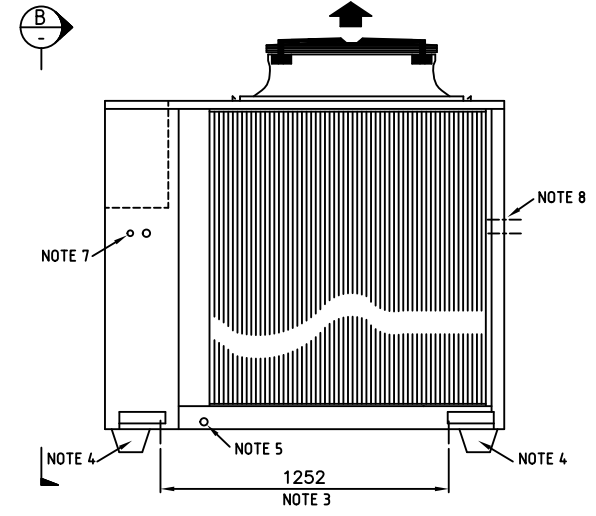
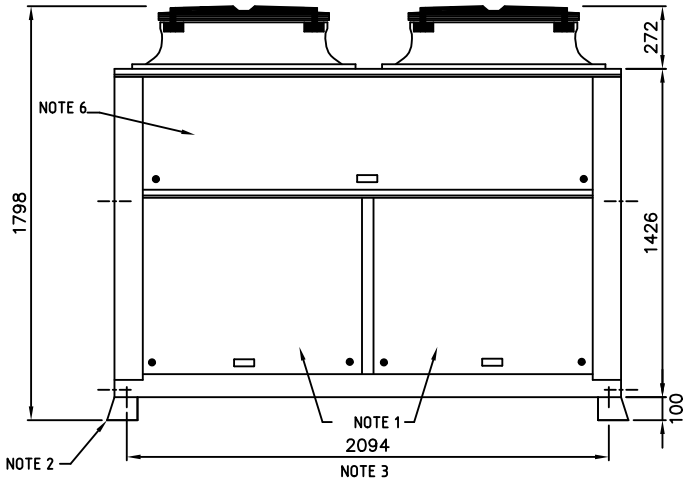
HIA045R3AA HIA045C3AA, HIA055R3AA HIA055C3AA

- ALL DIMENSIONS IN mm.
- GENERAL TOLERANCE ±1mm.
- DO NOT SCALE DRAWING.
- MASTER DRAWINGS ARE HELD ELECTRONICALLY. ANY COPY IS DEEMED UNCONTROLLED AND THEREFORE NOT NECESSARILY THE LATEST REVISION.
- ALL INFORMATION REMAINS THE PROPERTY OF THE COMPANY.


GENERAL ARRANGEMENT



- NOTE:**
1. CABINET SERVICE ACCESS.
  2. TRANSPORTATION FEET (REMOVAL IS OPTIONAL).
  3. AV MOUNTING LOCATIONS (FEET MUST BE REMOVED).
  4. RECOMMENDED LIFTING POINTS (SPREADER BARS MUST BE USED).
  5. CONDENSATE DRAIN (2 x  $\phi$ 20mm PVC).
  6. ELECTRICAL SWITCHBOARD.
  7. ELECTRICAL ENTRY (1 x  $\phi$ 25mm & 1 x  $\phi$ 32mm)
  8. REFRIGERATION PIPING (SUCTION 2 x 1 1/8", LIQUID 2 x 5/8")



REV No	DATE	DETAILS
REV-1	24.05.2012	CONDENSATE DRAIN POSITIONS CHANGED
REV-2	27.08.2012	TANDEM DESIGN & UPDATED TO AB VERSION
REV-3	06.03.2013	UPDATED PIPE EXITS & ELECTRICAL ENTRIES
REV-4	20.05.2013	UNIT HEIGHT INCREASED BY 20MM
REV-5	30.07.2013	NOTES & DIMENSIONS REVISED
REV-6	24.04.2014	AV MOUNT POSITIONS CHANGED

DRAWING No.		REVISION		 <b>COMM AIR AUSTRALIA</b> AIR CONDITIONING MANUFACTURERS ACN 140 272 171 22 SARICH COURT OSBORNE PARK WA6017 (08)92449288
CAG045002		REV-6	24.04.2014	
CUT SIZE	----	SCALE	1 : 35	
MATERIAL	----	DRAWN	SP	
QUANTITY	----	APPROVED	MD	

HOA045R3AB, HOA045C3AB, HOA055R3AB, HOA055C3AB  
 HOC045R3AB, HOC045C3AB, HOC055R3AB, HOC055C3AB

**GENERAL ARRANGEMENT**

- ALL DIMENSIONS IN mm.
- GENERAL TOLERANCE  $\pm$ 1mm.
- DO NOT SCALE DRAWING.
- MASTER DRAWINGS ARE HELD ELECTRONICALLY. ANY COPY IS DEEMED UNCONTROLLED AND THEREFORE NOT NECESSARILY THE LATEST REVISION.
- ALL INFORMATION REMAINS THE PROPERTY OF THE COMPANY.