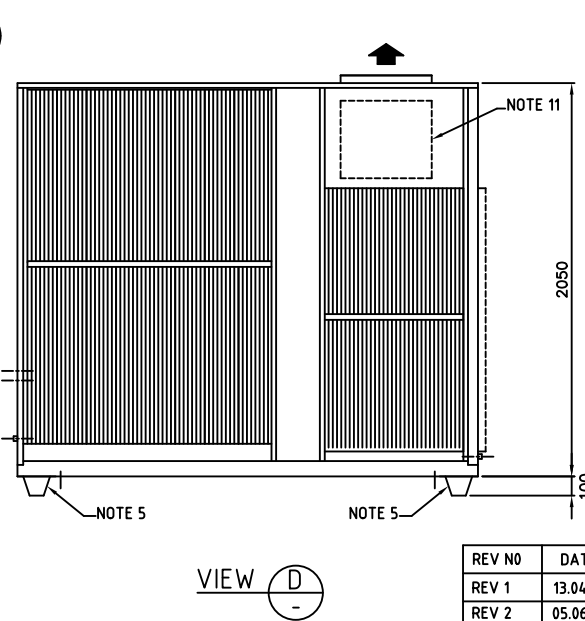
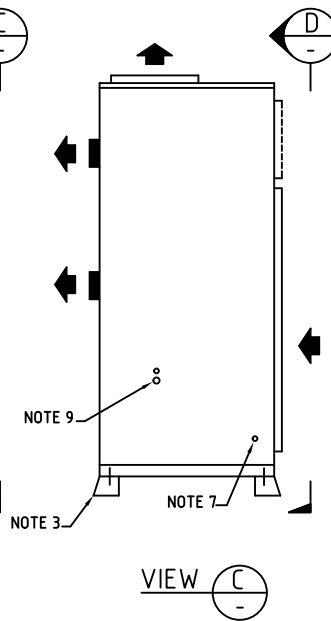
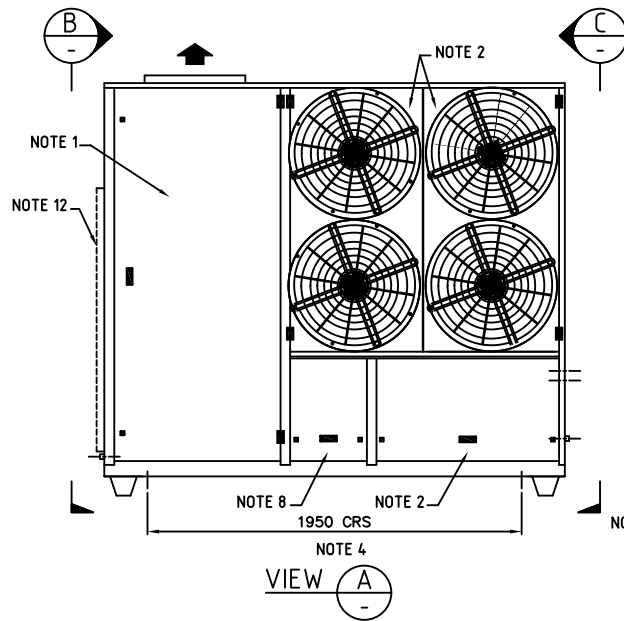
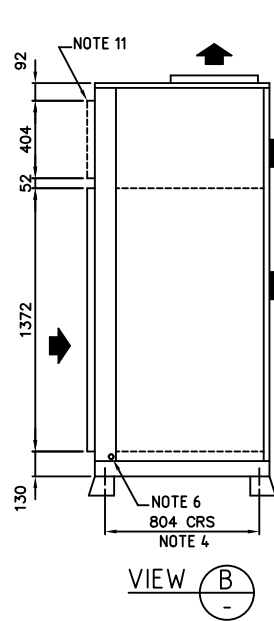


- NOTES:
1. EVAPORATOR CABINET SERVICE ACCESS
  2. CONDENSER CABINET SERVICE ACCESS.
  3. TRANSPORTATION FEET
  4. AV MOUNTING LOCATIONS
  5. RECOMMENDED LIFTING POINTS (SPREADER BARS MUST BE USED)
  6. EVAPORATOR COIL CONDENSATE DRAIN (Ø20mm PVC)
  7. CONDENSER COIL CONDENSATE DRAIN (Ø20mm PVC)
  8. ELECTRICAL SWITCH BOARD
  9. ELECTRICAL ENTRY (1 x Ø25mm, 1 x Ø32mm)
  10. OPTIONAL AIR FILTER (50mm PLEATED, WASHABLE)
  11. OPTION 1 - REAR S/A
  12. OPTION 2 - SIDE R/A



REV NO	DATE	DETAILS
REV 1	13.04.2012	NOTES UPDATED
REV 2	05.06.2012	S/A SPIGOT CHANGED
REV 3	29.08.2012	RA NOTIFICATIONS ADDED
REV 4	14.12.2012	REVISION CHANGED FROM AA TO AB
REV 5	14.08.2013	NOTES, DIMENSIONS, & LAYOUT REVISED

DRAWING No.

CAG045004

REVISION	REV 4
DATE	14.12.2012
SCALE	1 : 40
DRAWN	JA
APPROVED	MD

**CAA**  
 COMM AIR AUSTRALIA  
 AIR CONDITIONING MANUFACTURERS  
 ACN 140 272 171  
 22 SARICH COURT  
 OSBORNE PARK WA6017  
 (08)92449288

VPA045R3AB, VPA045C3AB

GENERAL ARRANGEMENT

- ALL DIMENSIONS IN mm.
- GENERAL TOLERANCE ±1mm.
- DO NOT SCALE DRAWING.
- MASTER DRAWINGS ARE HELD ELECTRONICALLY. ANY COPY IS DEEMED UNCONTROLLED AND THEREFORE NOT NECESSARILY THE LATEST REVISION.
- ALL INFORMATION REMAINS THE PROPERTY OF THE COMPANY.