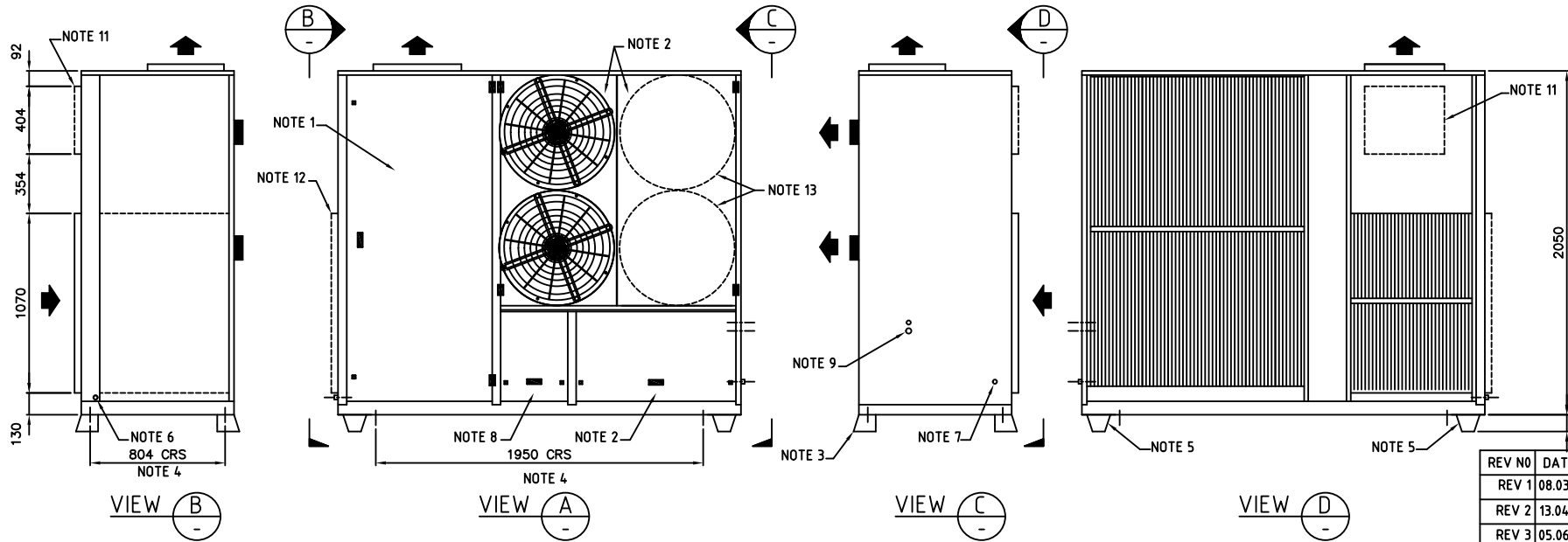


- NOTES:
1. EVAPORATOR CABINET SERVICE ACCESS
 2. CONDENSER CABINET SERVICE ACCESS.
 3. TRANSPORTATION FEET
 4. AV MOUNTING LOCATIONS
 5. RECOMMENDED LIFTING POINTS (SPREADER BARS MUST BE USED)
 6. EVAPORATOR COIL CONDENSATE DRAIN (Ø20mm PVC)
 7. CONDENSER COIL CONDENSATE DRAIN (Ø20mm PVC)
 8. ELECTRICAL SWITCH BOARD
 9. ELECTRICAL ENTRY (1 x Ø25mm, 1 x Ø32mm)
 10. OPTIONAL AIR FILTER (50mm PLEATED, WASHABLE)
 11. OPTION 1 - REAR S/A
 12. OPTION 2 - SIDE R/A
 13. ADDITIONAL CONDENSER FANS FITTED TO VPA035R3AB & VPA035C3AB MODELS ONLY



REV NO	DATE	DETAILS
REV 1	08.03.2012	R/A CHANGED & 2x CENTRIFUGAL FANS WAS 4
REV 2	13.04.2012	NOTES UPDATED
REV 3	05.06.2012	S/A SPIGOT CHANGED
REV 4	29.08.2012	R/A NOTIFICATIONS ADDED
REV 5	14.12.2012	REVISION CHANGED FROM AA TO AB
REV 6	13.08.2013	NOTES, DIMENSIONS, & LAYOUT REVISED

DRAWING No.
CAG025004

REVISION	REV 6
DATE	14.12.2012
SCALE	1 : 40
DRAWN	JA
APPROVED	MD

CAA
COMM AIR AUSTRALIA
AIR CONDITIONING MANUFACTURERS
ACN 140 272 171
22 SARICH COURT
OSBORNE PARK WA6017
(08)92449288

VPA025R3AB, VPA025C3AB VPA030R3AB, VPA030C3AB
VPA035R3AB, VPA035C3AB

GENERAL ARRANGEMENT

- ALL DIMENSIONS IN mm.
- GENERAL TOLERANCE ±1mm.
- DO NOT SCALE DRAWING.
- MASTER DRAWINGS ARE HELD ELECTRONICALLY. ANY COPY IS DEEMED UNCONTROLLED AND THEREFORE NOT NECESSARILY THE LATEST REVISION.
- ALL INFORMATION REMAINS THE PROPERTY OF THE COMPANY.