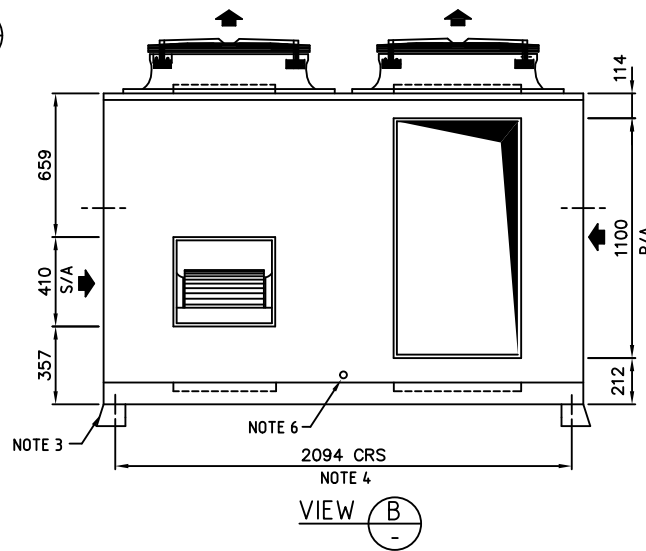
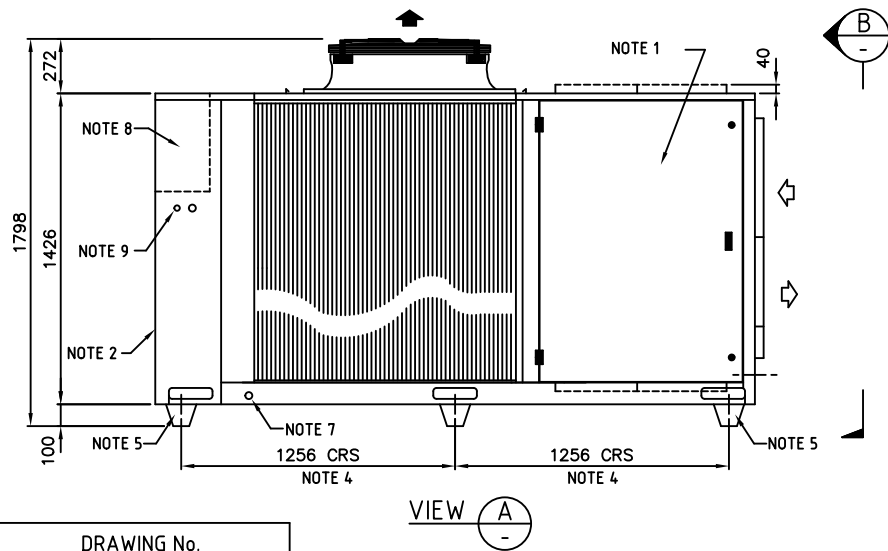


**NOTES:**

1. EVAPORATOR CABINET SERVICE ACCESS
2. CONDENSER CABINET SERVICE ACCESS
3. TRANSPORTATION FEET (REMOVAL IS OPTIONAL)
4. AV MOUNTING LOCATIONS
5. RECOMMENDED LIFTING POINTS  
(SPREADER BARS MUST BE USED)
6. EVAPORATOR COIL CONDENSATE DRAIN (ø20mm PVC)
7. CONDENSER COIL CONDENSATE DRAIN (2 x ø20mm PVC)
8. ELECTRICAL SWITCH BOARD
9. ELECTRICAL ENTRY (1 x ø25mm, 1 x ø32mm)
10. AIR FILTER (50MM PLEATED, WASHABLE)- OPTIONAL
11. DUCTING OPTIONS:-  
 OPTION 1 - TOP S/A OR BOTTOM S/A  
 OPTION 2 - TOP R/A OR BOTTOM R/A  
 OPPOSITE HANDINGS FOR ALL OPTIONS

PLAN

CLEARANCE DETAIL  
NTS



VIEW A

VIEW B

REV No	DATE	DETAILS
REV 1	22.05.2012	CONDENSATE DRAIN POSITION CHANGED
REV 2	18.10.2012	TITLE BLOCK UPDATED
REV 3	20.05.2013	UNIT HEIGHT INCREASED BY 20 MM & BOTTOM S/A CHANGED
REV 4	24.06.2013	R/A FILTER ADDED (OPTIONAL)
REV 5	05.08.2013	NOTES & DIMENSIONS REVISED
REV 6	26.11.2013	AV MOUNT POSITIONS CHANGED

DRAWING No.

CAG045001

REVISION REV-6  
DATE 26.11.2013



HPA045R3AB, HPA045C3AB, HPA055R3AB, HPA055C3AB  
 HPC045R3AB, HPC045C3AB, HPC055R3AB, HPC055C3AB

CUT SIZE	----	SCALE	NTS
MATERIAL	----	DRAWN	SP
QUANTITY	----	APPROVED	MD

GENERAL ARRANGEMENT

- ALL DIMENSIONS IN mm.
- GENERAL TOLERANCE ±1mm.
- DO NOT SCALE DRAWING.
- MASTER DRAWINGS ARE HELD ELECTRONICALLY. ANY COPY IS DEEMED UNCONTROLLED AND THEREFORE NOT NECESSARILY THE LATEST REVISION.
- ALL INFORMATION REMAINS THE PROPERTY OF THE COMPANY.